

High-intensity Type A L856 Aviation Obstruction Light AH-HI/A



This High-intensity Type A Aviation Obstruction Light flashing white color 24 hours and designed for marking top of obstacle that exceed 150 meters in height. Ultra high intensity CREE LED is used for the light source ensure light's long life experience and good performance.



Compliance


- ICAO Annex 14 Volume 1, Sixth edition, 2013, table 6.3 High Intensity Type A Obstruction Light
- FAA L-856

Features

Electrical

- CREE ultra high intensity LED as light source saving power consumption and maintenance than incandescent light or halogen lamp
- Power supply available in DC(48V) or AC(110V, 240V)

Physical

- Unique design and UV protected polycarbonate lens for converging light
- UV protection Powder coated bright yellow color base make better visibility
- Base material is powder coated die-casting aluminum which has strong corrosion resistance, Shock and Vibrations protection
-  Special valve installed beside the base to make sure the air could go through but water is avoid, so that the whole light temperature won't be high to destroy the light

System design

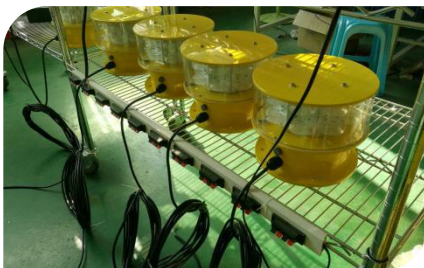
- Built-in photocell for day/twilight/night operation
- Surge and lightning protection

Optional

- Alarm contact for remote monitoring
- Infrared LED for pilot using NVG
- GSM cellphone monitoring
- RS485 communication part for monitoring
- User adjustable flashing rate(40, 50, 60 flashes/minute)
- GPS synchronization

Application

- AH-HI/A High-intensity light is used on the top of the High-rise Building, High Chimney, marking towers (Telecom, GSM, Microwave & TV), High Pole, Tower Crane, Wind Turbine, etc when the obstacle height is more than 150meter, and most time work with low intensity lights & medium intensity light installed on the lower place.



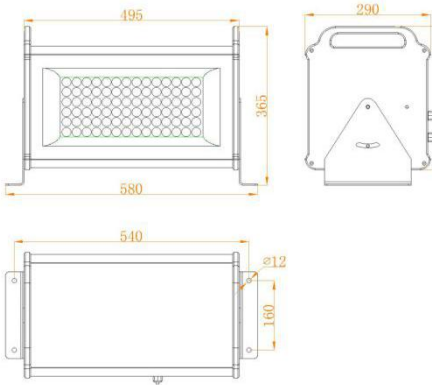
APPLICATION



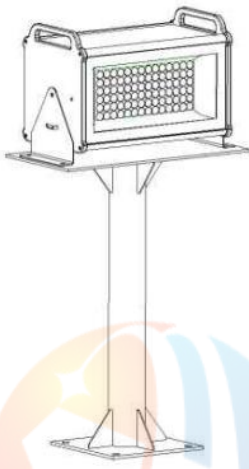
High-intensity Type A L856 Aviation Obstruction Light

AH-HI/A

Dimension(mm)



Installation



(Mounting bracket is charged separately,
and size is customized)

SPECIFICATIONS

AH-HI/A High-intensity Type A L856 Aviation Obstruction Light

Light Characteristics

Light Source	CREE high intensity LED
Available Colors	White
Intensity(cd)	200,000cd ± 25%(Daytime) 20,000cd ± 25%(Twilight) 2,000cd ± 25%(Night)
Horizontal Output(degrees)	120
Vertical Divergence(degrees)	3-7
Flash Characteristics	40-60 flashes per minute
Operation Mode	24hours operation, 3 different modes
LED Life Experience(hours)	>100,000

Electrical Characteristics

Operating Voltage	DC(48VDC) or AC(110, 240V)
Power(W)	100W
Circuit Protection	Integrated

Physical Characteristics

Body Material	Polycarbonate (Tempered glass as optional)
Base Material	Powder coated die-casting aluminum
Mounting	540×160×112
Dimension(mm)	580×290×365
Weight(kg)	27
Product Life Expectancy	5 years Plus

Environmental Factors

Humidity	0%-100%
Wind Speed	80m/s
Waterproof	IP67

Compliance

ICAO	Annex 14 Volume 1, 'Aerodrome Design and Operations' Sixth edition 2016, table 6.3 High-intensity Type A White Obstacle Light L-856
FAA	L-856

Options Available

Powder-coated color
NVG(Night Vision Goggles) compatible LED
GSM Monitoring
GPS Sync Flashing
Dry Contact alarm(NO COM NC)
User adjustable flashing rate (40, 50, 60)